

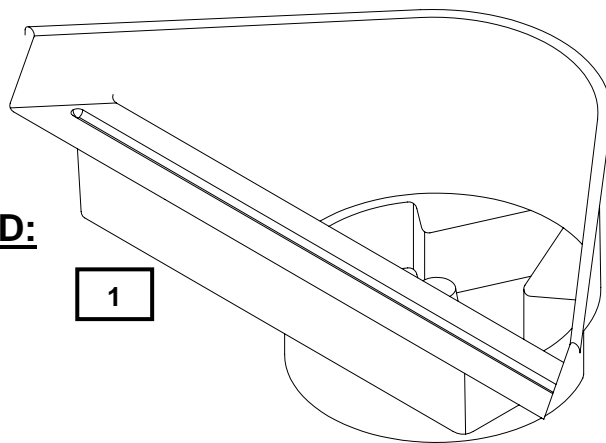


WATERFALL INSTALLATION INSTRUCTIONS

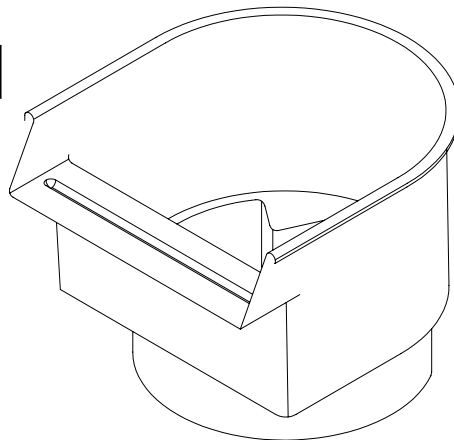
WF24/40-INSTR
Rev. A

ITEMS INCLUDED:

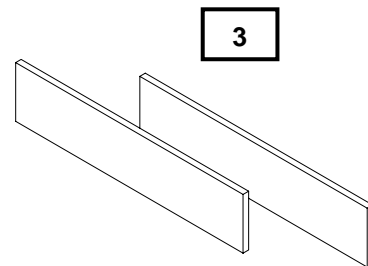
- 1) 40" Waterfall or 24" Waterfall
- 2) 24" Waterfall
- 3) 1 or 2 Liner Tapes
- 4) Mesh Bag
- 5) Round Filter Mesh
- 6) Bulkhead, Washer and Nut
- 7) 2 7/8" Diameter Hole Saw



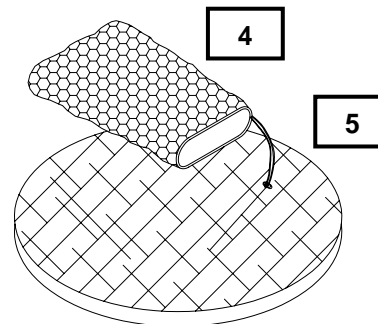
1



2

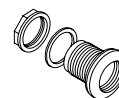


3



4

5

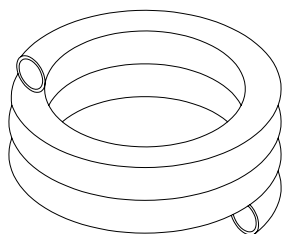


6



7

SUGGESTED ITEMS, NOT INCLUDED

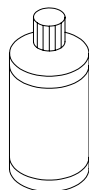
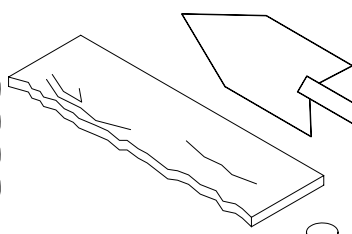


2" Diameter Flexible PVC Pipe – long enough to reach your Pump from the Waterfall.

Lava Rock for your Mesh Bag

24" or 40" length Waterfall Rock Ledge

Crystal Pond



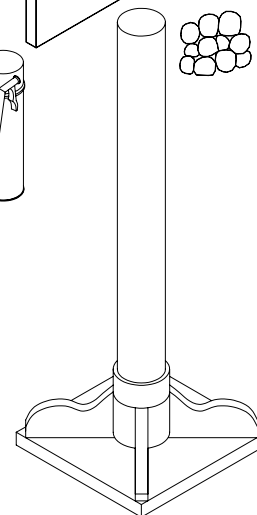
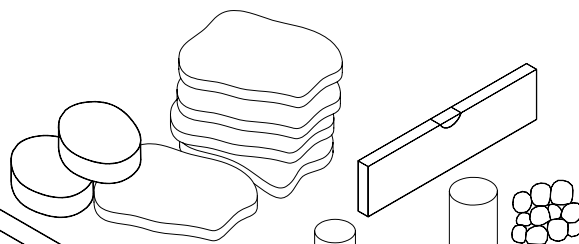
Flat Rocks or Round Stones

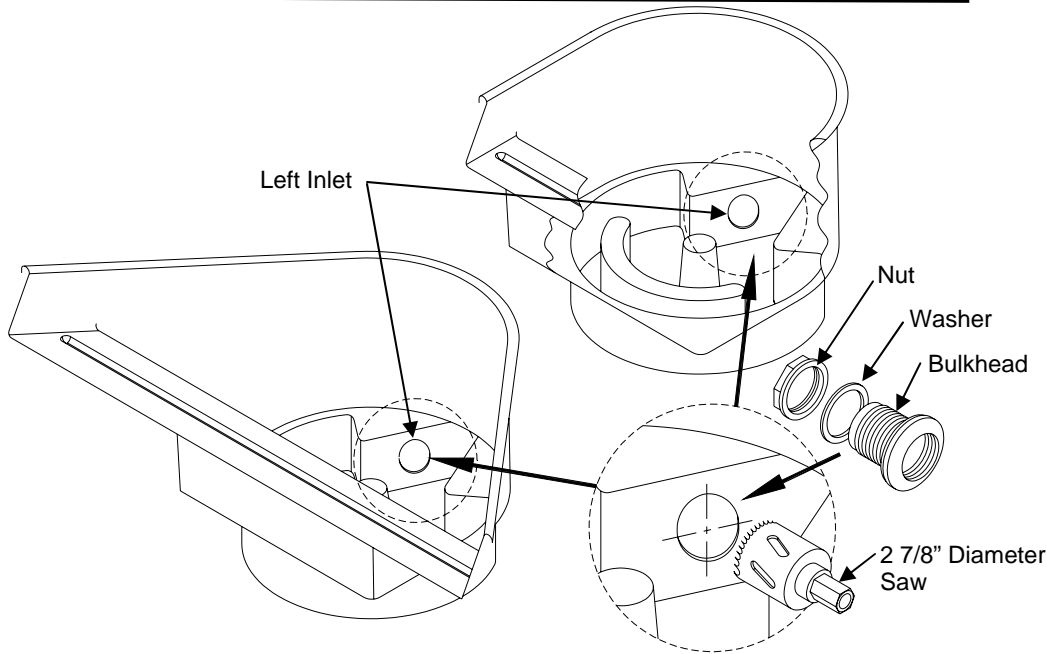
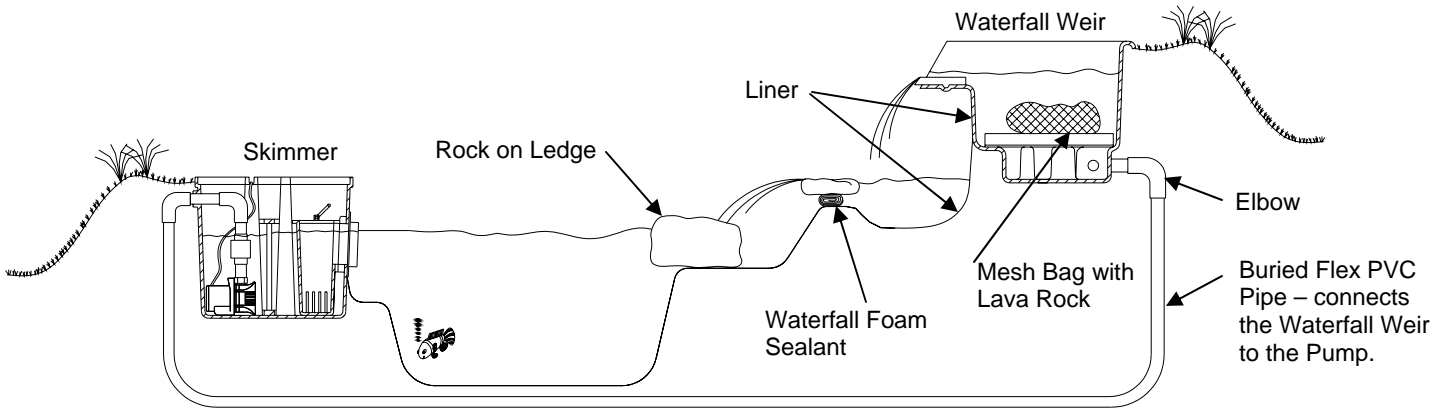
Waterfall Foam

Carpenter's Level

Shovel

Tamp





STEP 1: Decide the location of the Weir keeping in mind that the Waterfall generally faces the viewing area. Ensure you have enough dirt for a sloping stream bed that drains into the Pond. Choosing the Left or Right Inlet Installation should be decided at this point.

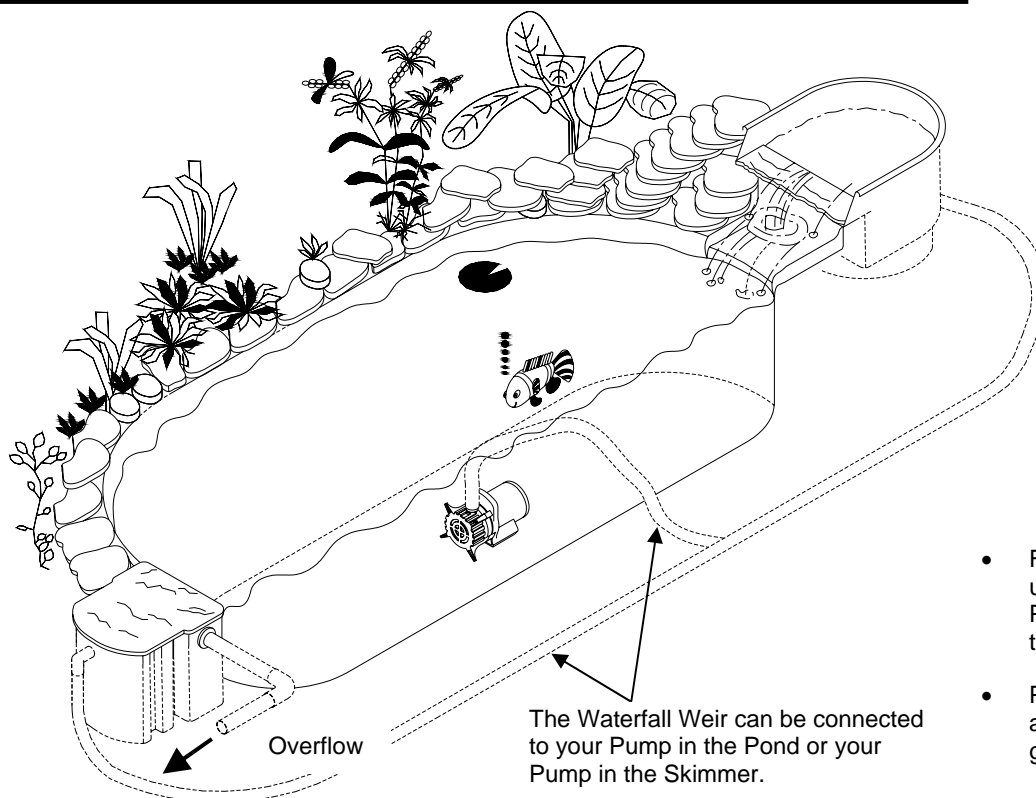
STEP 2: The installation of the Bulkhead may be placed in the right or left side, to minimize plumbing elbows which reduces flow. Carefully place a hole with the 2 7/8" Diameter Saw in the center of the wall. Not too close to the edge or close to the wall.

STEP 3: Attach the Bulkhead with the Nut on the outside and the Rubber Washer on the inside (the water side).

STEP 4: Attach your Tubing to the Bulkhead.

STEP 5: Be sure to pack the dirt below the Weir so that it is level and will not cause the Weir to settle off level. Using the tamp tool is useful here. A small amount of gravel can be spread under the Weir to help ensure the Weir stays level.

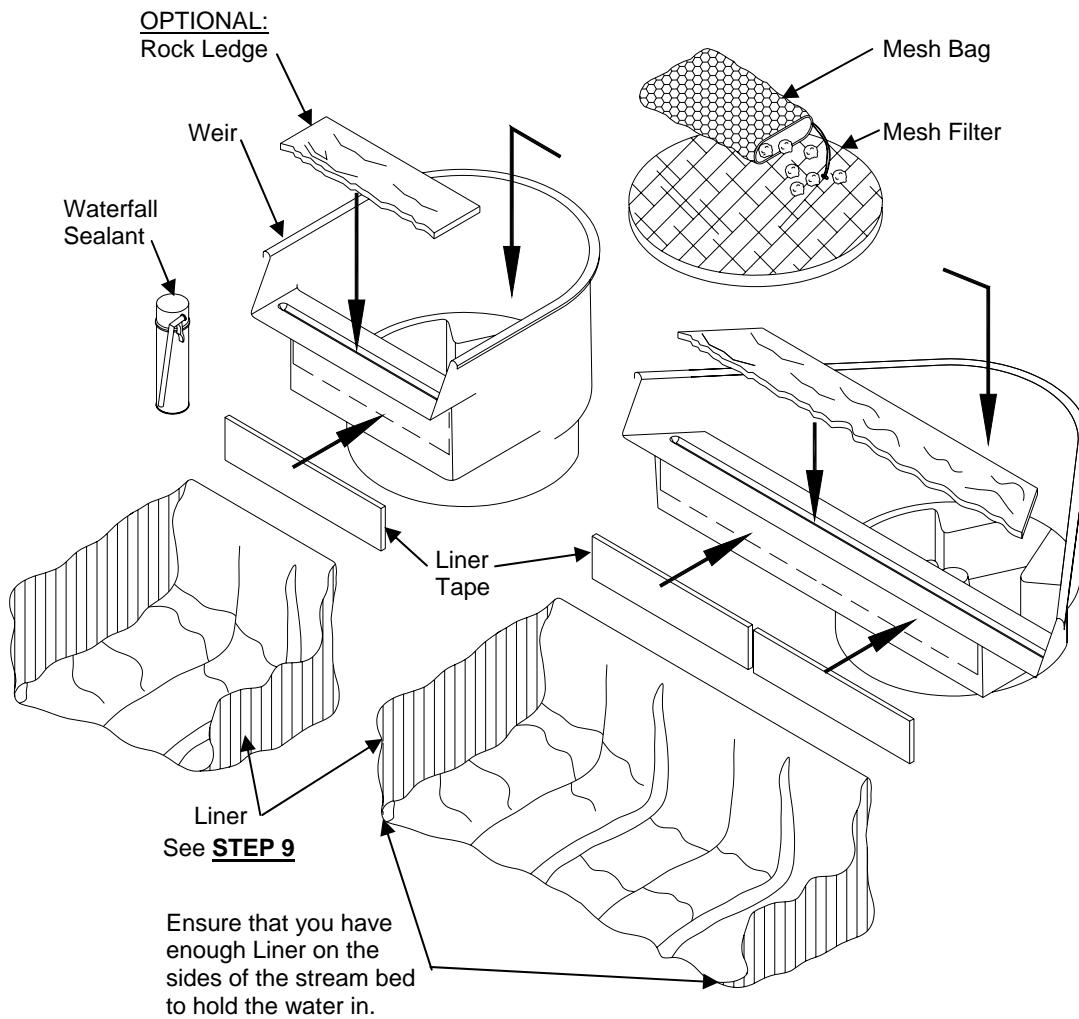
STEP 6: Using the Carpenter's Level on all sides, make sure the Weir is level.



HELPFUL HINTS

- For new Pond installations try to using a single piece of Liner for the Pond and Stream. This minimizes the chance for leaks.
- Place the Waterfall Weir in an easily accessible location. Waterfalls generally face the viewing area.

WATERFALL WEIR INSTALLATION



STEP 7: You can either cut a piece of liner the width of your Waterfall Weir (24" wide or 40") or pull your existing liner from your pond and attach it to the Liner Tape.

STEP 8: Make sure the surface under the overhang is clean and dry, then place the strip of Liner Tape, as shown. You will have one piece for the 24" and two for the 40" Waterfall Weir. The Liner Tape works best at temperatures above 55°F.

STEP 9: Ensure that the Liner is pressed tight against the Weir and dirt below. A loose Liner gap here will pull the Liner down off the tape when the weight of the water fills in.

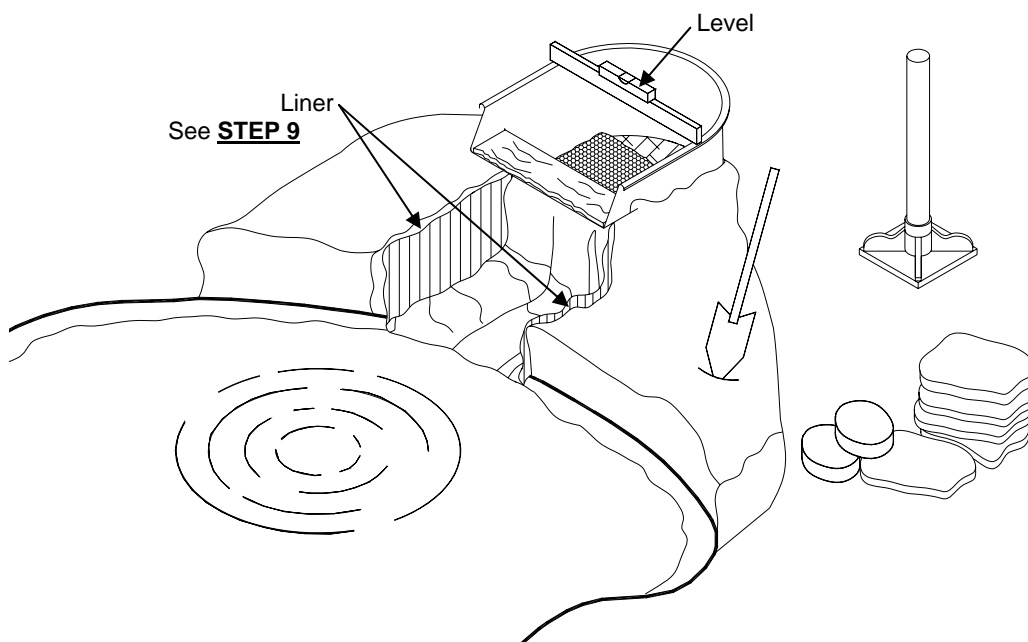
STEP 10: Attach the liner or liner piece to the Liner Tape.

STEP 11: If you are not using the Optional Rock Ledge (not included) skip this step. Apply the Waterfall Sealant Foam across the length of the overhang. Place the Rock to fit the groove of the Weir.

STEP 12: Place the Round Filter Mesh into the Weir. Next, place Lava Rocks or other Bio Media in the Mesh Bag, then set on top of the Mesh Filter, as shown.

STEP 13: Build a mound of dirt around the Weir. For new ponds you can use the dirt from the Pond. Dig a trench to hide the tubing from the Weir to your Pump.

STEP 14: Landscape around the Weir as desired. Plug in your pump and enjoy your Waterfall!





LIMITED WARRANTY

Each Crystal Pond product is warranted to be free from defects in material and workmanship for the applicable Warranty Period (herein so called) set forth below. The Warranty Period for each product commences on the date of purchase by the original purchaser. The Warranty Periods are as follows:

<u>Product Type or Name</u>	<u>Warranty Period</u>
Waterfall Weir & Skimmer.....	5 Years
Liner Material:	
35 mil PVC.....	20 Years
40 mil EPDM.....	20 Years
20 mil PVC.....	15 Years
All Other Crystal Pond Products.....	90 days

APPLICATION: The warranty covers only properly installed and maintained Crystal Pond products and is limited to application at normal temperature, 32°F to 86°F, (0°C to 30°C) pumping fluids with a specific gravity up to 1.1 and with a pH range of 5 to 9 (fresh water). Other liquid applications and extreme temperature uses must be approved in advance by Beckett Corporation. The warranty does not apply to or cover damages or defects caused by external causes, including, but not limited to, improper or faulty installation or unauthorized modification, lightning, electrical surges, abuse, misuse or abnormal use or misapplication, including use in a manner inconsistent with the product's intended function. The purchaser is responsible for determining the suitability of the product for its intended use. If products are damaged in transit, a claim should be filed with the carrier.

REMEDY: If there has been a failure to conform to the warranty, Beckett Corporation will, at Beckett's option, repair, replace or issue a refund for the particular nonconforming product or part. Repair, replacement or refund, at Beckett's option, is the exclusive remedy in the event of a failure to conform to the warranty. Warranty claims must be made within 3 months after expiration of the applicable Warranty Period.

ADMINISTRATION: Warranty claims must be made by returning the nonconforming Beckett Corporation product, freight prepaid, along with proof of purchase, to: Beckett Corporation, Customer Service Dept., 5931 Campus Circle Dr., Irving, Texas 75063, telephone (888) 232-5388. Telephone authorization from Beckett Corporation is required prior to returning nonconforming products or parts. All products or parts returned will be inspected to determine cause of failure before warranty is approved.

INSTALLATION, REMOVAL AND/OR SHIPPING CHARGES: The warranty does not cover any costs associated with the installation, removal or shipping of products subject to warranty claims.

DISCLAIMER AND LIMITATION: THE EXPRESS WARRANTY AND REMEDIES SET FORTH ABOVE ARE EXCLUSIVE AND IN LIEU OF ALL OTHER WARRANTIES AND REMEDIES, WHETHER ORAL OR WRITTEN, EXPRESS OR IMPLIED. TO THE FULL EXTENT PERMITTED BY LAW, BECKETT EXPRESSLY DISCLAIMS ANY AND ALL IMPLIED WARRANTIES, INCLUDING, WITHOUT LIMITATION, THE IMPLIED WARRANTIES OF MERCHANTABILITY AND FITNESS FOR A PARTICULAR PURPOSE. IF IMPLIED WARRANTIES CANNOT BE DISCLAIMED, ALL SUCH IMPLIED WARRANTIES ARE LIMITED TO THE DURATION OF THE APPLICABLE EXPRESS WARRANTY.

BECKETT DOES NOT ACCEPT LIABILITY BEYOND THE REMEDIES EXPRESSLY SET FORTH IN THIS WARRANTY. IN NO EVENT SHALL BECKETT BE LIABLE OR RESPONSIBLE FOR INCIDENTAL OR CONSEQUENTIAL DAMAGES. BECKETT'S AGGREGATE LIABILITY UNDER THIS WARRANTY OR WITH RESPECT TO ANY PRODUCT COVERED HEREBY, UNDER ANY LEGAL THEORY, SHALL NOT EXCEED THE PURCHASE PRICE PAID FOR THE NONCONFORMING PRODUCT. THE LIMITATIONS CONTAINED IN THIS PARAGRAPH SHALL NOT APPLY TO INJURY TO THE PERSON.

Some States do not allow the exclusion or limitation of incidental or consequential damages or exclusions or limitations on the duration of an implied warranty, so the above limitations or exclusions may not apply to you. This warranty gives you specific legal rights and you may also have other rights that vary from State to State.

FOR YOUR RECORDS:

Date of Purchase _____

Model Number _____

Name of Dealer _____

PLEASE KEEP RECEIPT IN CASE OF WARRANTY SERVICE.