

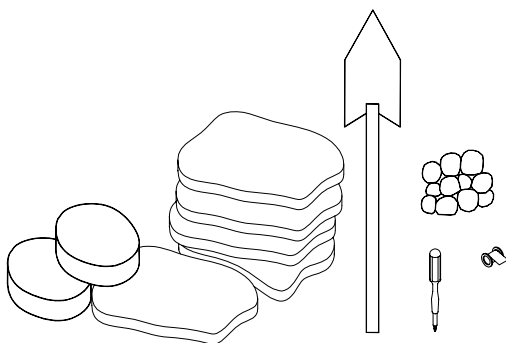
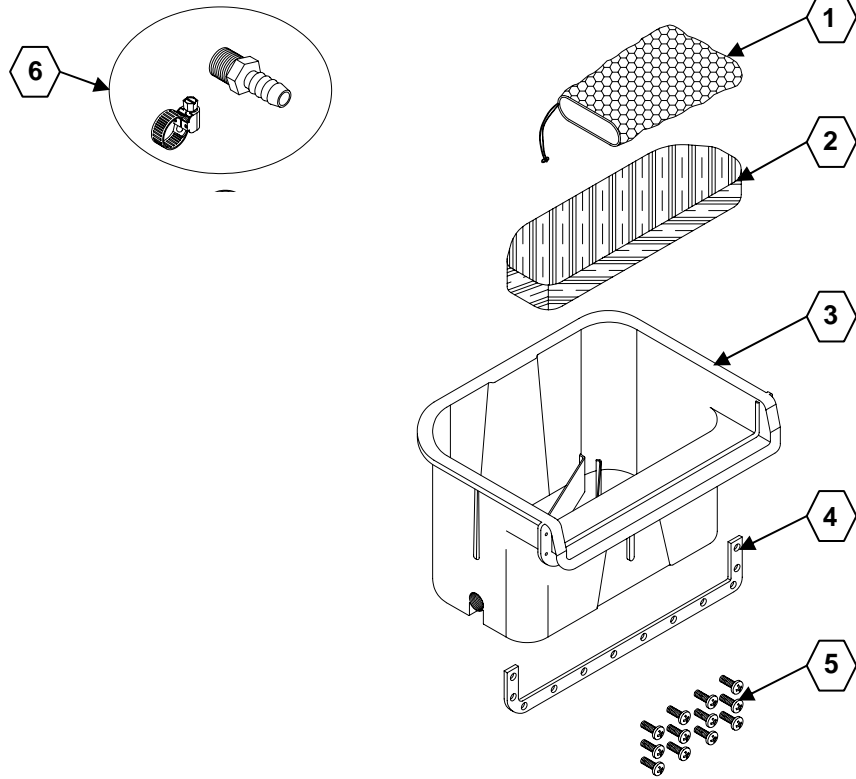
# WATERFALL KIT INSTRUCTIONS

C90011a  
Rev. A

Model: WK16B 7168810

## PARTS INCLUDED:

- 1) Mesh Bag
- 2) Bio-Filter Foam
- 3) Waterfall Weir
- 4) Weir Faceplate
- 5) 12 Screws
- 6) Miscellaneous Fittings



## ITEMS NEEDED: (Not included)

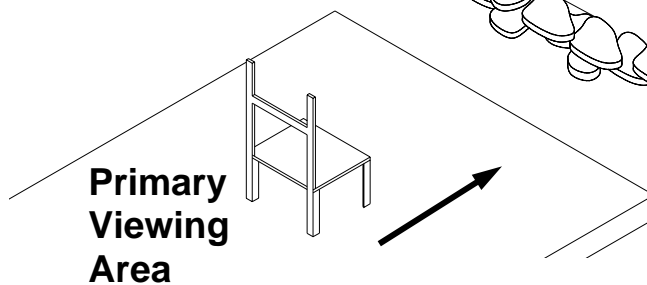
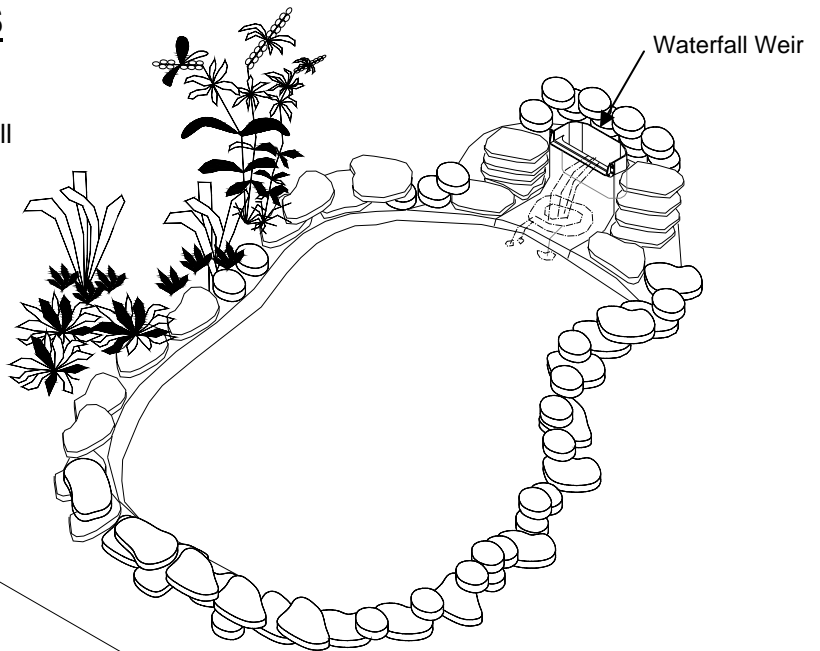
- Shovel
- Flat Rocks or Round Stones
- Lava Rocks
- Teflon Tape
- Phillips Screwdriver

**READ AND FOLLOW ALL SAFETY INSTRUCTIONS!  
SAVE THIS MANUAL FOR FUTURE REFERENCE.**

## HELPFUL SITE PLANNING HINTS

Waterfalls generally face the viewing area.

When building your Waterfall, keep in mind you will need room for easy access to the Waterfall for maintenance.



**STEP 1:** Apply Teflon Tape to the Weir's Adapter.

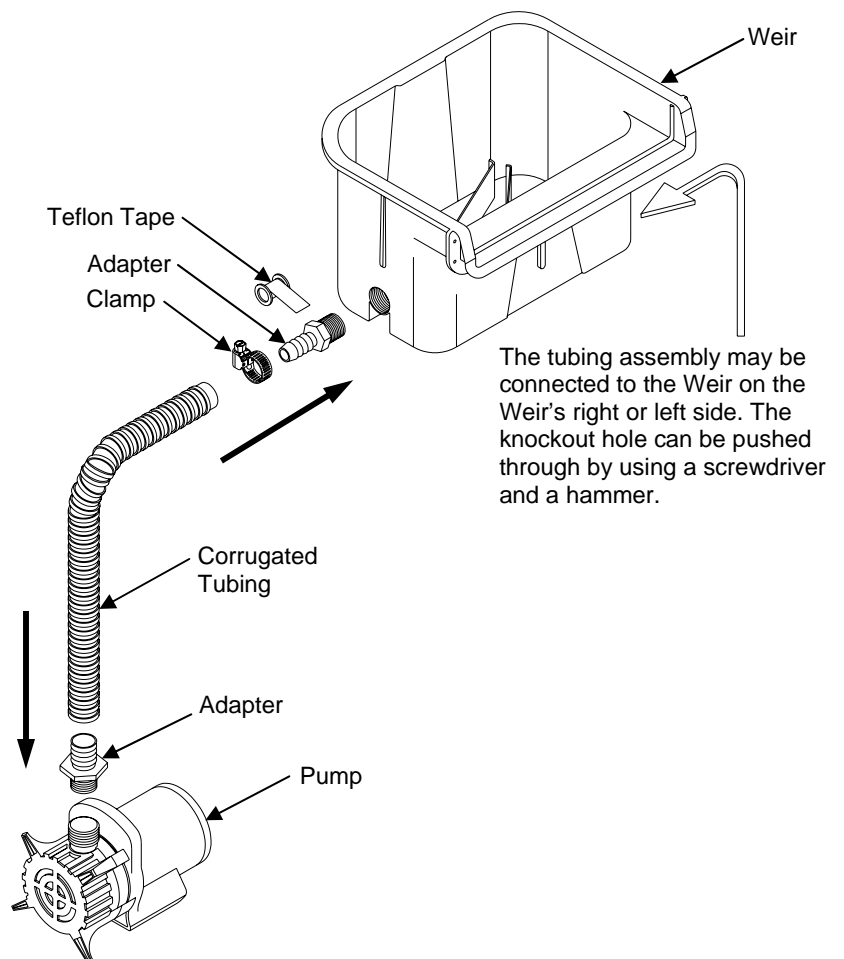
**STEP 2:** Connect the Adapter to the Weir, as shown.

**STEP 3:** Place the Hose Clamp over one end of the Tubing.

**STEP 4:** Attach the Tubing to the Adapter and tighten the Clamp to seal.

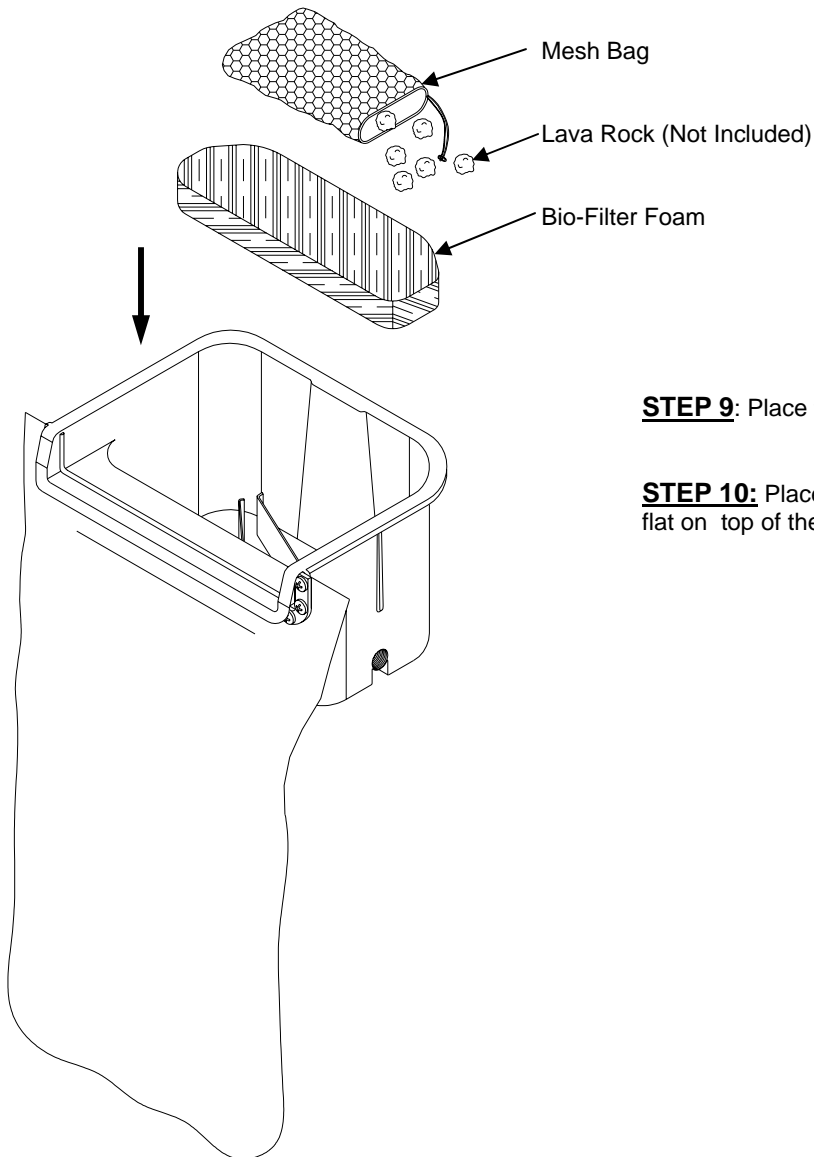
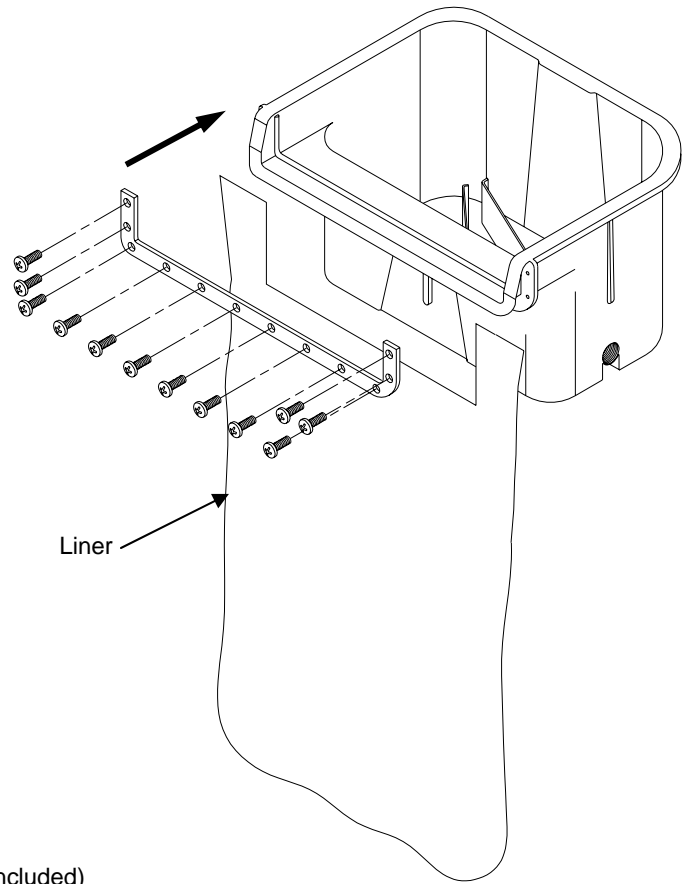
**STEP 5:** Connect the Pump's Adapter to the Pump, as shown.

**STEP 6:** Attach the other end of the Tubing to the Pump's Adapter.



**STEP 7:** Cut the **Liner** as desired to create stream lining.

**STEP 8:** Attach the top end of the **Liner** to the **Weir** using the **Faceplate** and **12 Screws**, as shown.



**STEP 9:** Place the **Bio-Filter Foam** in the bottom of the **Weir**.

**STEP 10:** Place your **Lava Rock** inside the **Mesh Bag** and lay flat on top of the **Bio-Filter Foam** to prevent it from floating.

**STEP 11:** Build a mound with dirt for your Waterfall to your desired height.

**STEP 12:** Place the **Weir** on top of the mound, draping the liner over the mound.

**STEP 13:** Pack the surrounding dirt mound until it is solid.

**STEP 14:** Secure the mound and **Weir** with flat rocks or bricks.

**STEP 15:** Place the **Pump** in the pond.

**STEP 16:** Bury the **Tubing**.

**STEP 17:** Fill the Pond with water.

**STEP 18:** Read the following information about the **Pump**, then plug the **Pump** into a GFCI receptacle.

**STEP 19:** Enjoy your Waterfall!

